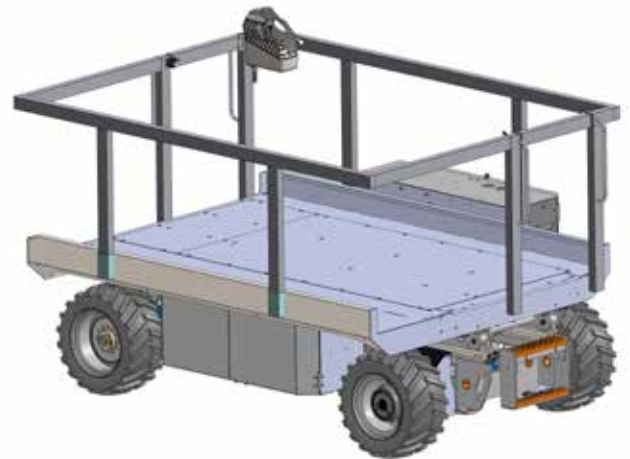


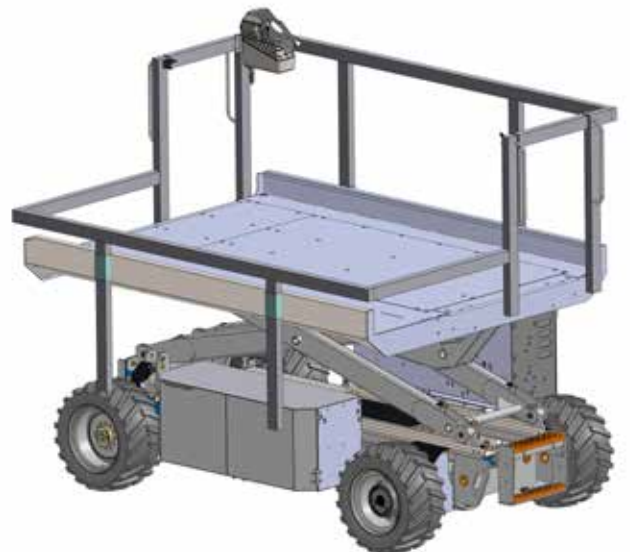


# LOW HEIGHT SCISSOR PLATFORM

SPECIFICATIONS		
Working Height	8 ft	2.44 m
Raised Platform Height	5 ft	1.52 m
Lowered Platform Height	3 ft	.914 m
Platform Size (outside)	63 x 110 in	1.6 x 2.79 m
Platform Capacity	1,500 lbs	680 kg
Width	10 ft 3 in	1.75 m
Length (Stowed)	108 in	3.12 m
Ground Clearance (Center)	9.5 in	1.75 m
Wheelbase	7 ft 6 in	2.29 m
Inside Turning Radius	83 in	2.11 m
Outside Turning Radius	181.2 in	4.6 m
Drive Speed (Stowed)	3.5 mph	5.6 km/h
Drive Speed (Raised)	0.3 mph	0.5 km/h
Power	Diesel	
Specifications Subject to Change		



Platform Down and Rails Up



Platform Up and Rails Down

**Specifications:**

