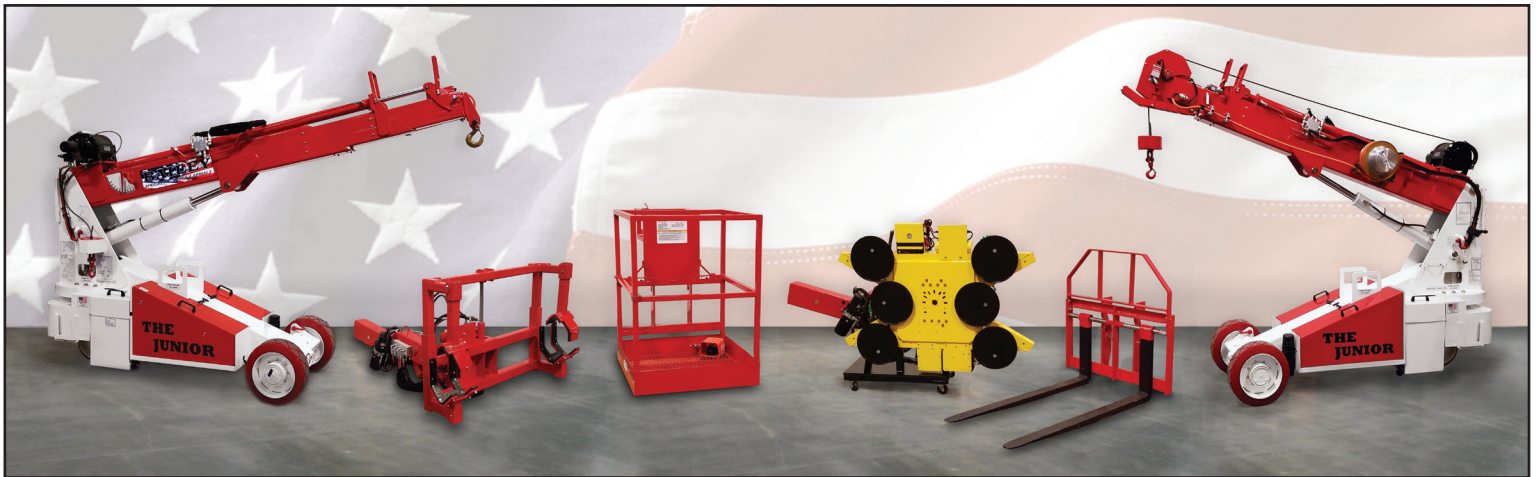


THE JUNIOR

The World's Most Versatile Lifting Machine



Model: Junior

Winch Capacity: 1,950 lbs

Hook Capacity: 1,950 lbs

Fork Capacity: 1,950 lbs

Glazier Capacity: 1,000 lbs

Robot or Jib Capacity: 1,000 lbs

Reach: Industry leading reach with below grade capability.

Battery Power: 24V 435Amp-Hour

Weight: 4,275 lbs

Steering: Rear Wheel

Charger: On-board 110 Volts AC

Proportional Controls: Electric Joystick for Proportional Lift and Extend. Includes 2-Speed HI/LOW switch for precise slow speed control.

Drive: Rear Wheel Hydraulic Drive with Joystick and Speed Dial for precise control.

Rated Load Limiter: Displays rated load and actual load. Stops when rated load is reached. Detects which attachment is installed and automatically adjusts load parameters.

Progressive Function Control: Adjusts the maximum drive and lift speeds to limit unsafe operation based on the following:

- Steering Angle (Drive slow with tight radius)
- Boom Height and Reach
- Lifted Load (Slow when closer to limit)

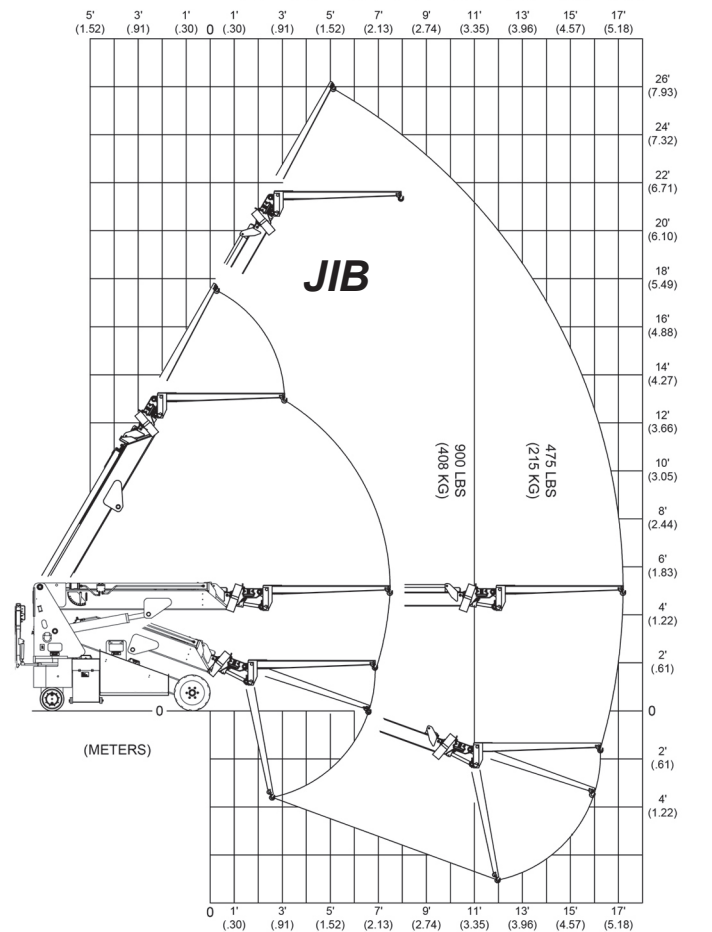
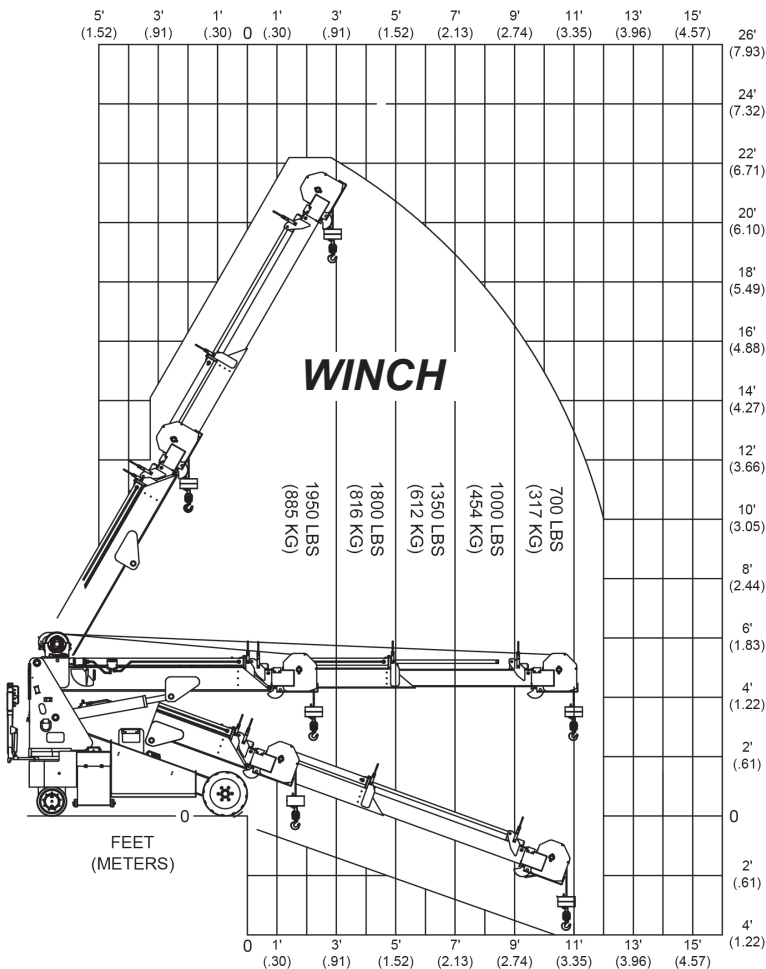
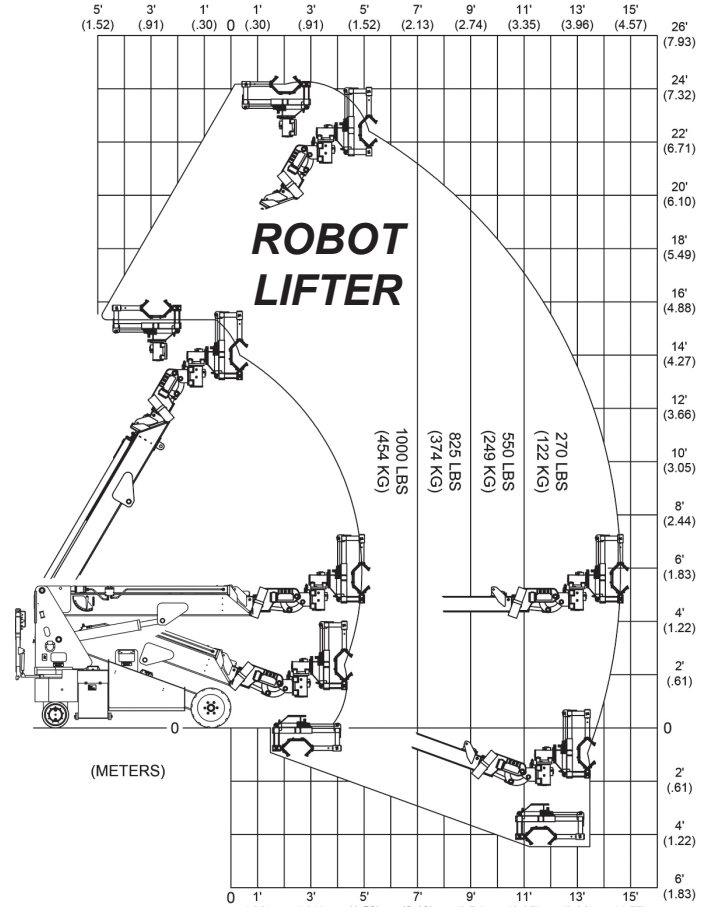
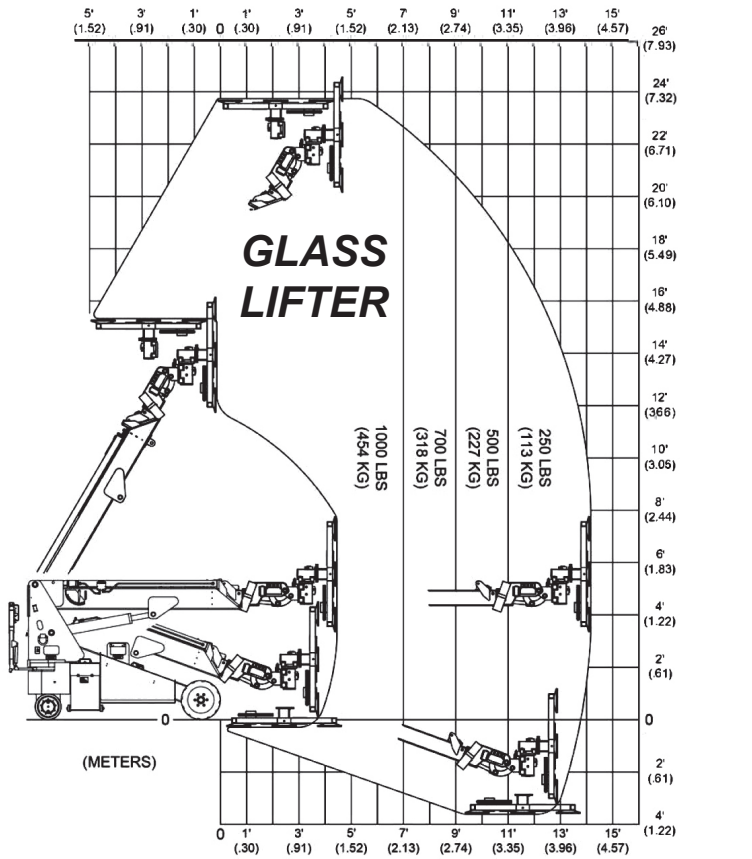


Radio Remote Controls



Walkie Handle

ENGINEERING THE FUTURE OF LIFT EQUIPMENT



Features



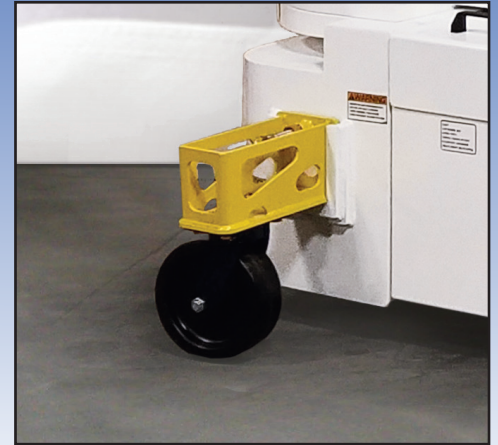
Rated Load Limiter

Automatically detects attachment and adjusts loading parameters.



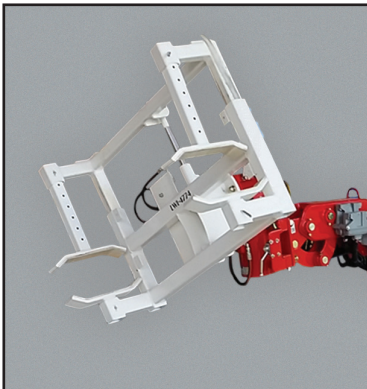
Removable Battery Box

For multi-shift operation. Patented design loads without external sources.



Optional Stabilizers

Multiple Attachments



Robot



Man Basket



Winch



Forks



Glass



Hanging Glass

