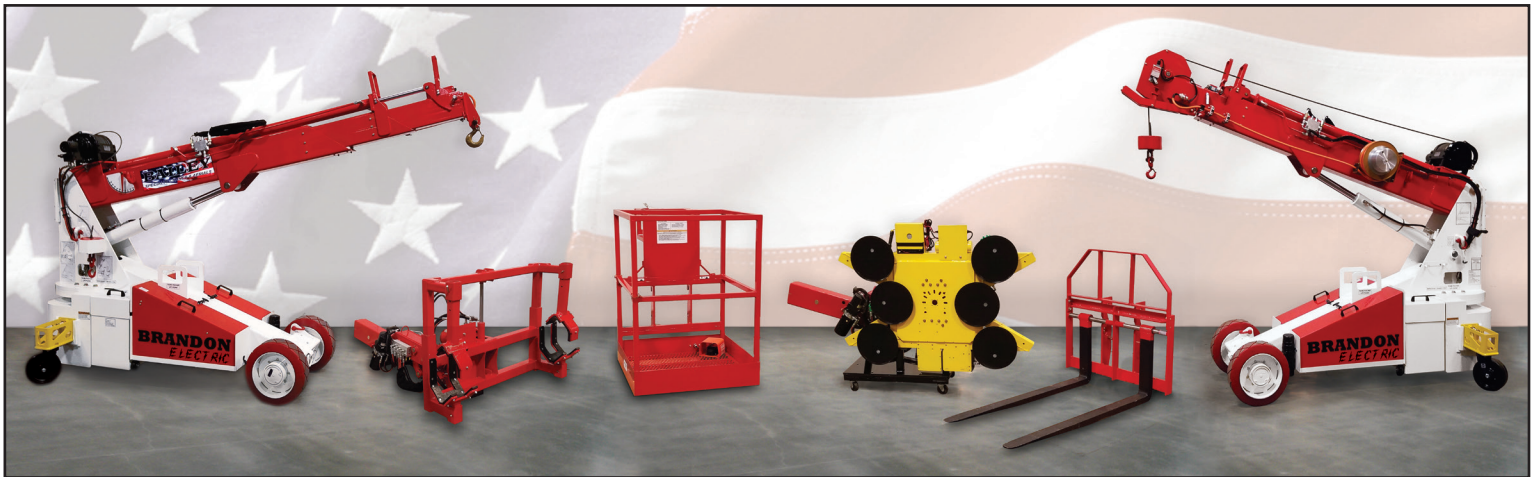


## THE BRANDON™ ELECTRIC

*The World's Most Versatile Lifting Machine*



**Model:** Brandon Electric (BC246)

**Hook Capacity:** 6,000 lbs

**Fork Capacity:** 2,500 lbs

**Glazier Capacity:** 1,100 lbs

**Robot or Jib Capacity:** 1,000 lbs

**Winch Capacity:** 3,000 lbs

**Reach:** Industry leading reach with below grade capability.

**Battery Power:** 24V 400AMP-Hour  
AGM maintenance free

**Electric Motor:** 6HP Fan Cooled DC

**Weight:** 5,480 Lbs + Attachment

**Steering:** Rear Wheel

**Charger:** On-board 110 Volts AC

**Proportional Controls:** Lift and extend Joystick control  
Includes dual-range Hi/Low range switch for precise slow speed control.

**Boom:** Base unit, 2 telescoping booms and one manual pull-out boom. Attachments replace pull-out boom.

**Hydraulics:** Gear Pump with Load Sense Dump.

**AC Drive:** 2 Wheel Drive and Braking with Joystick and Speed Dial to best provide inching control.

**Rated Load Limiter:** Displays rated load and actual load.  
Stops when rated load is reached. Detects which attachment is installed and automatically adjusts load parameters.

**Progressive Function Control:** Adjusts the maximum drive and lift speeds to limit unsafe operation based on the following:

- Steering Angle (Drive Slow with tight radius)
- Boom Height and Reach
- Lifted Load (Slow when closer to limit)



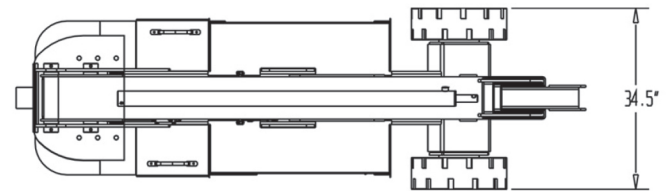
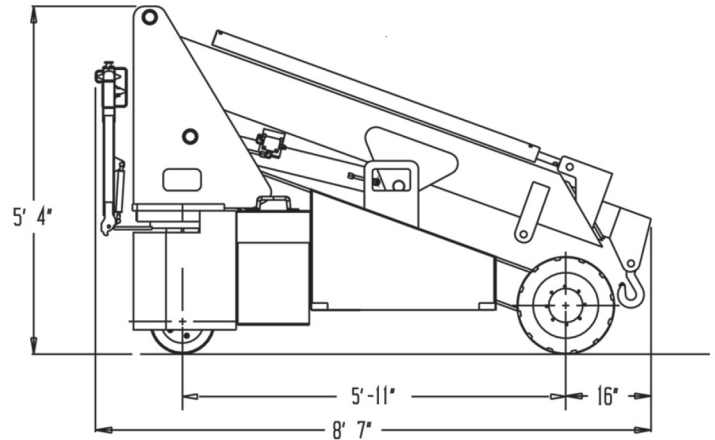
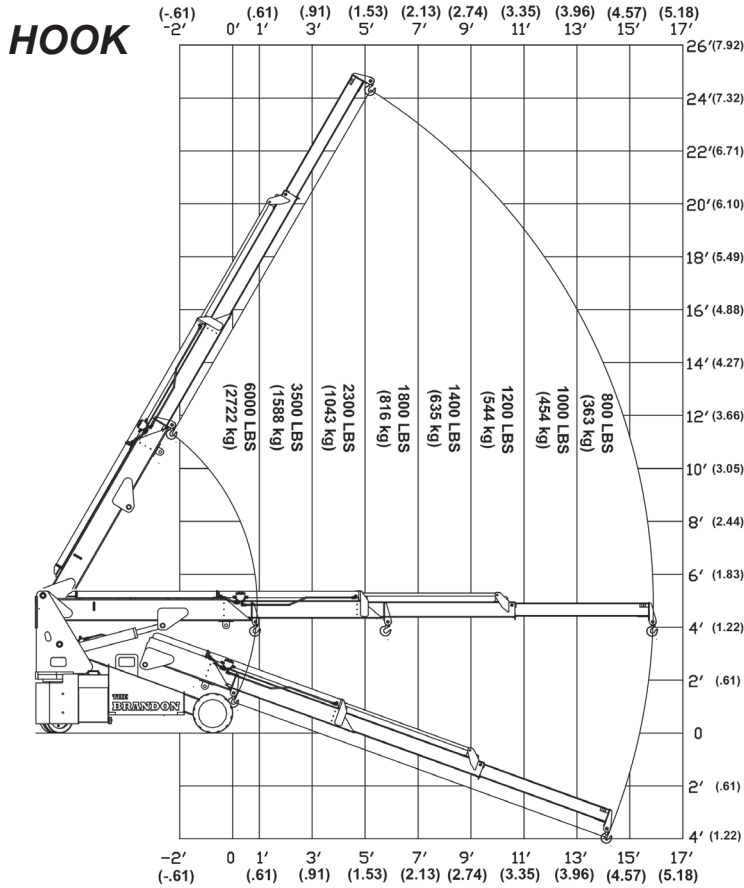
Radio Remote Controls



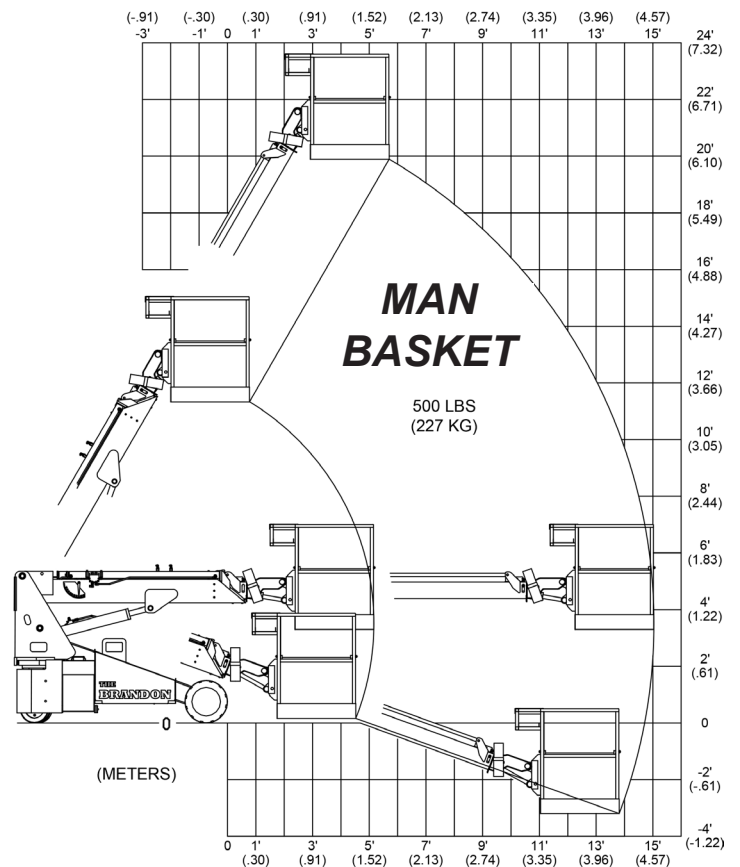
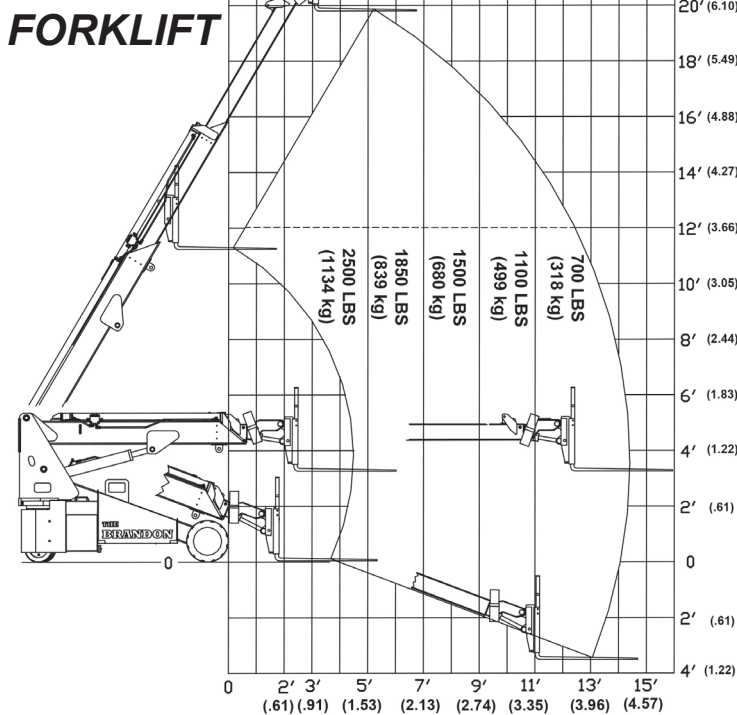
Walkie Handle

## LOAD CAPACITY CHARTS

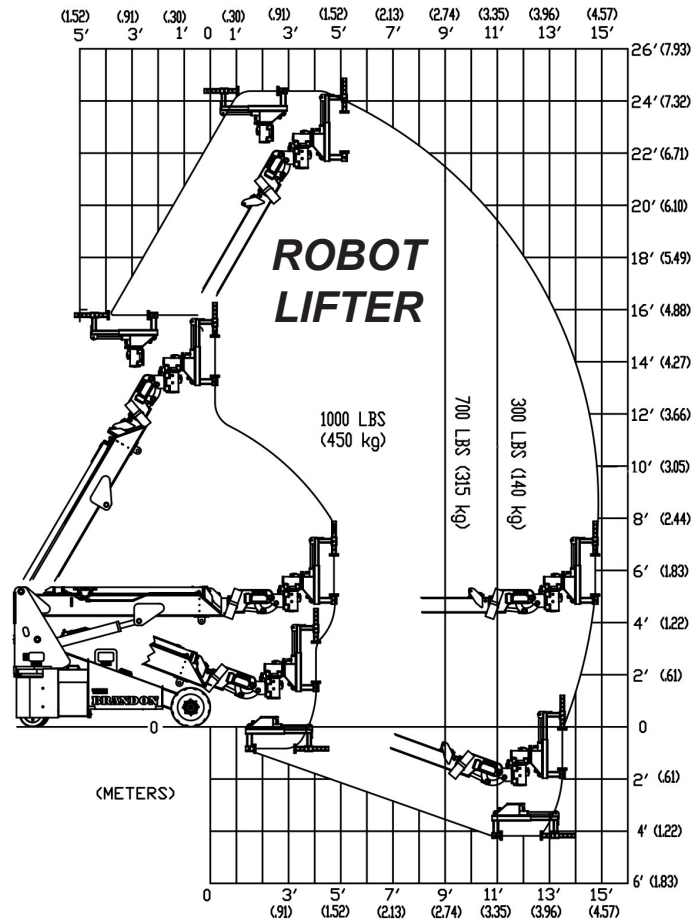
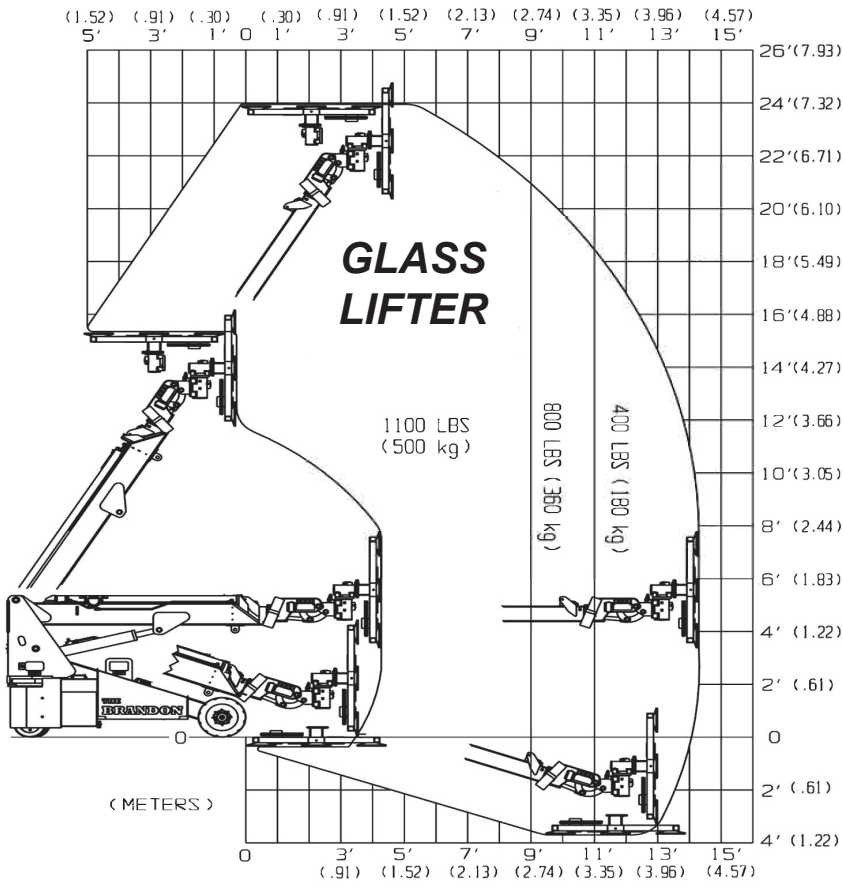
\*\* MULTIPLE PATENTS PENDING \*\*



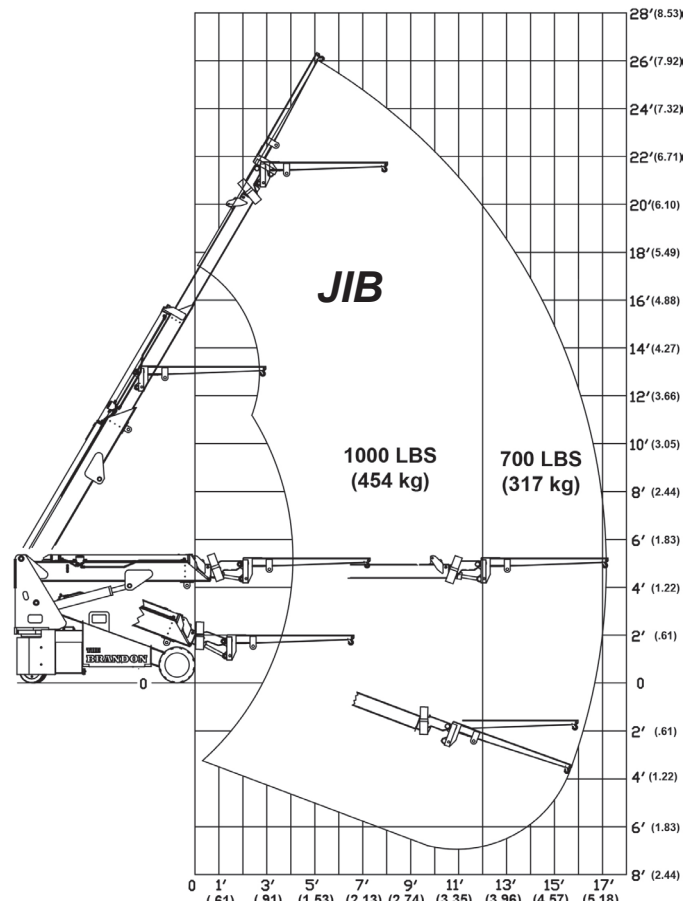
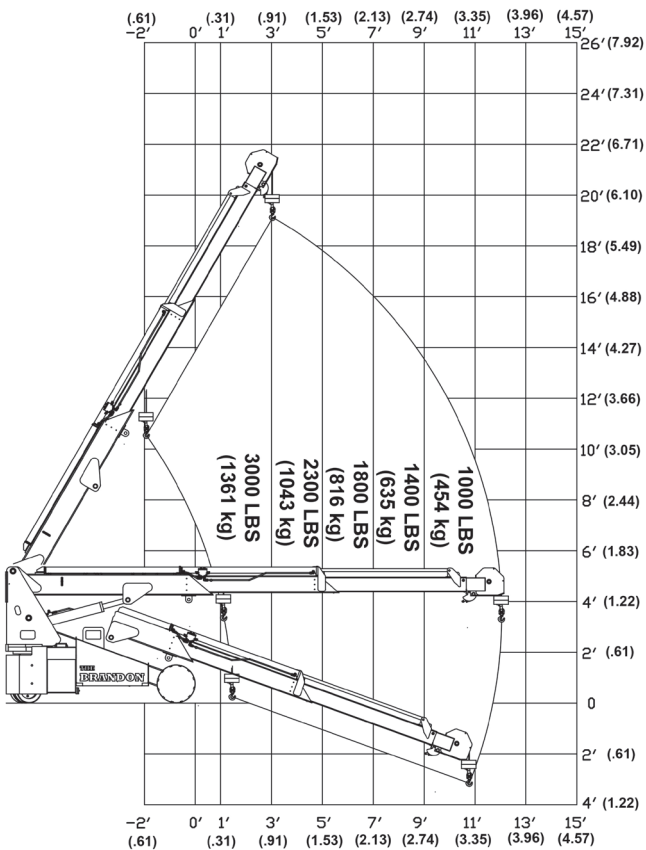
**34.5" WIDE SINGLE DOOR ACCESS**



# ENGINEERING THE FUTURE OF LIFT EQUIPMENT

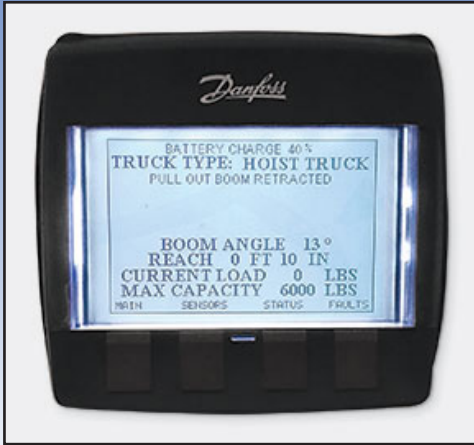


## 3,000 lbs HOIST WINCH





# Features



## Rated Load Limiter

Automatically detects attachment and adjusts loading parameters



## Hydraulic Hoist Winch

- 3,000 lb Capacity
- 90' Cable
- Simple Installation



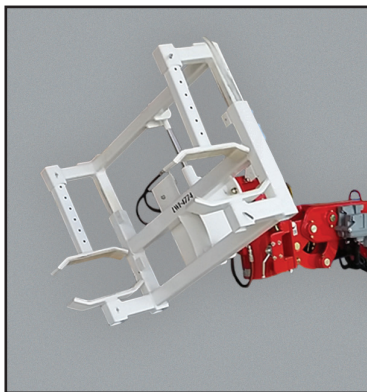
## Optional Stabilizers



## Removable Battery Box

For multi-shift operation.  
Patented design loads without external sources.

# Multiple Attachments



**Robot**



**Man Basket**



**Hoist Winch**



**Forks**



**Glass**



**Hanging Glass**

