

THE BRANDONTM

ROBOT

BEAM, COLUMN, TUBING PIPE & PANEL MANIPULATOR

- ✓ Clamps Structure From Ground
- ✓ Three Axis - Infinite Positioning
- ✓ One Man Does Work of Many
- ✓ No Hands Lifting - Reduces Strain
- ✓ Lifts Almost Anything

Model: Brandon 7.2N Robot

Load Capacity: 1000 lbs (500 kg)

Power: 24Volt 7HP Electric Motor.

Boom: 3 section boom, 1 fixed and 2 stages telescoping.

Drive Speed: 1.75MPH (2.8 km/h)

Steering: Rear Wheel +/- 80 degrees

Drive: 2 front wheels - hydraulic motor

Brakes: 2 spring applied - hydraulic release

Battery: 24volt, 435 amp-hour

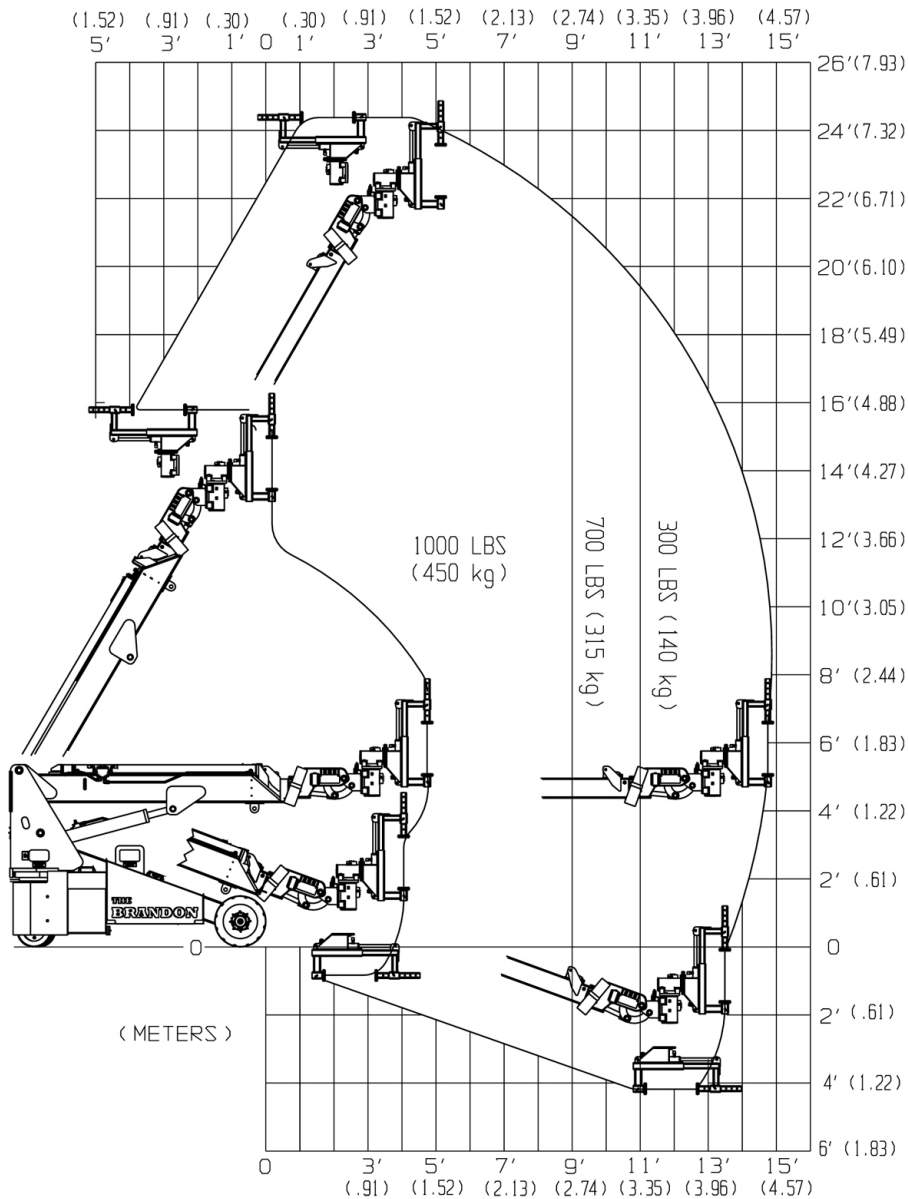
Weight: 5700 lbs (2590 kg)

Charger: 24 volts - 40 amps, 120V@10amps

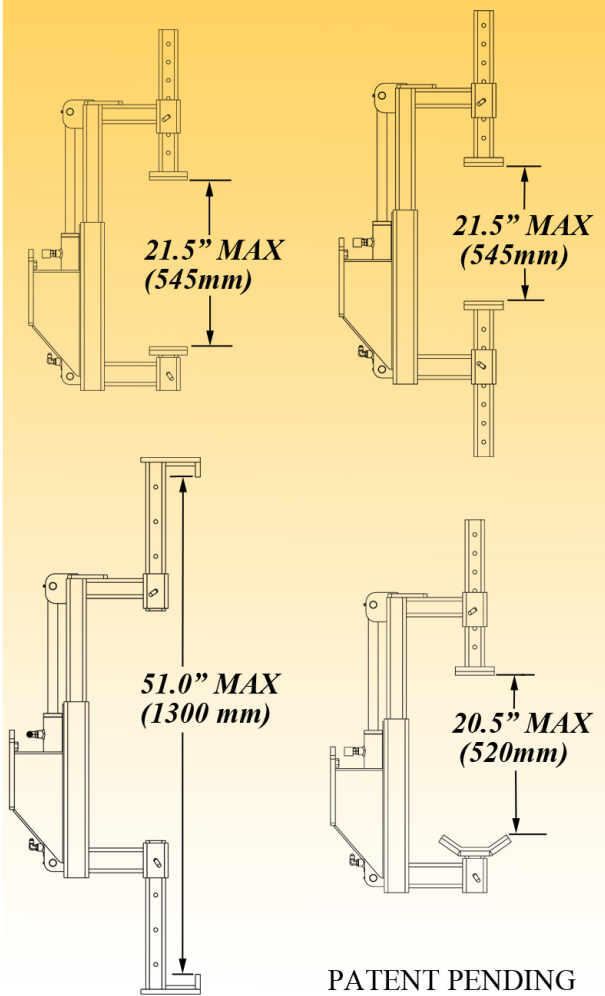
System Display: Includes Rated Load Limiter, weight of structure, clamp loading and system information.



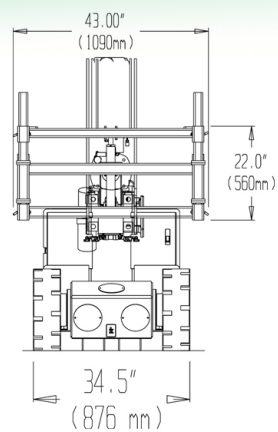
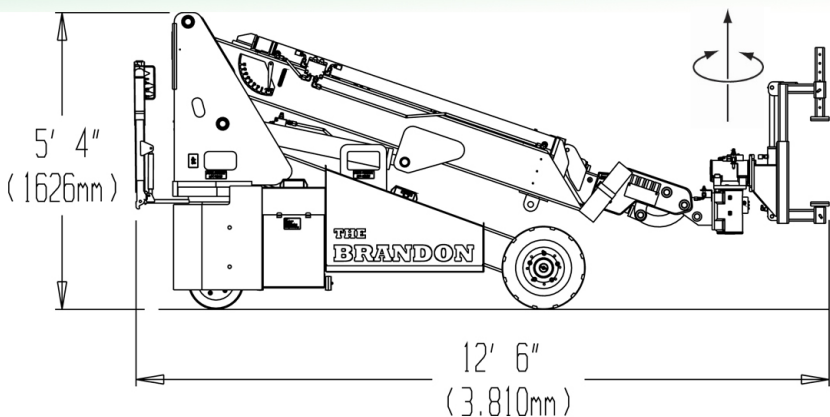
**PROUDLY
MADE IN
AMERICA**



ADJUSTABLE CLAMPING FIXTURE
10" (254mm) Cylinder Stroke



Three 180° Rotary Actuators Provide Precise Positioning



ROTATE CLAMP
 FIXTURE 90° FOR
 22" WIDTH

** MULTIPLE PATENTS PENDING **