

### **ANTI-COLLISION SYSTEMS FULL LASER SCANNER SYSTEM**

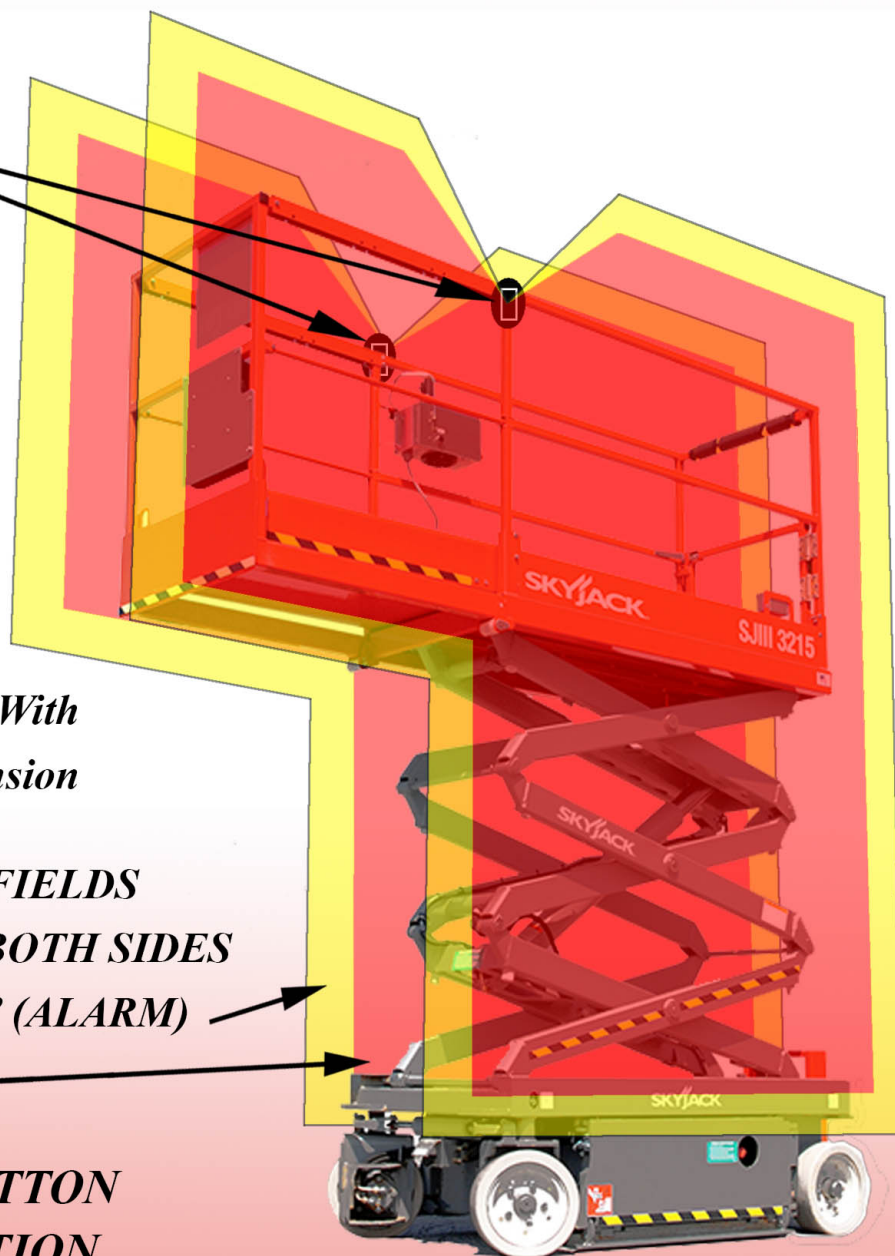
**FULL SCANNING OF ONE OR BOTH SIDES FROM PLATFORM TO CHASSIS. ZONES AUTOMATICALLY ADJUST WITH CHANGING HEIGHT AND PLATFORM EXTENSION (BOTH SIDES SHOWN).**

**LASER SCANNERS  
ON PLATFORM  
PROJECTING DOWN**

- ✓ **Eye Safe Laser Class**
- ✓ **IP67 Outdoor Rating**
- ✓ **Detects Metals or Composites**
- ✓ **Field Size Automatically Adjusts With Platform Height and Deck Extension**

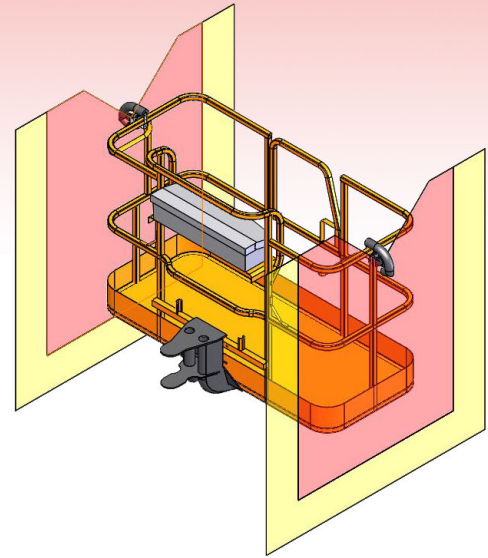
**LASER SCANNER WITH TWO FIELDS  
PROVIDES PROTECTION ON BOTH SIDES  
YELLOW = APPROACHING 10" (ALARM)  
RED ZONE = STOP 6"**

**INCLUDES OVER-RIDE BUTTON  
TO BYPASS AFTER DETECTION**

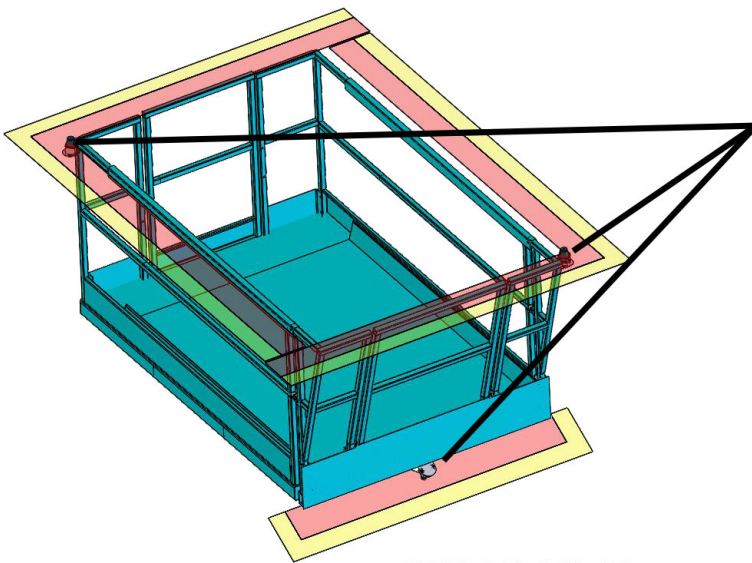


***COLLISION AVOIDANCE SYSTEM CAN BE APPLIED TO ANY  
SCISSOR LIFT OR BOOM PLATFORM.***

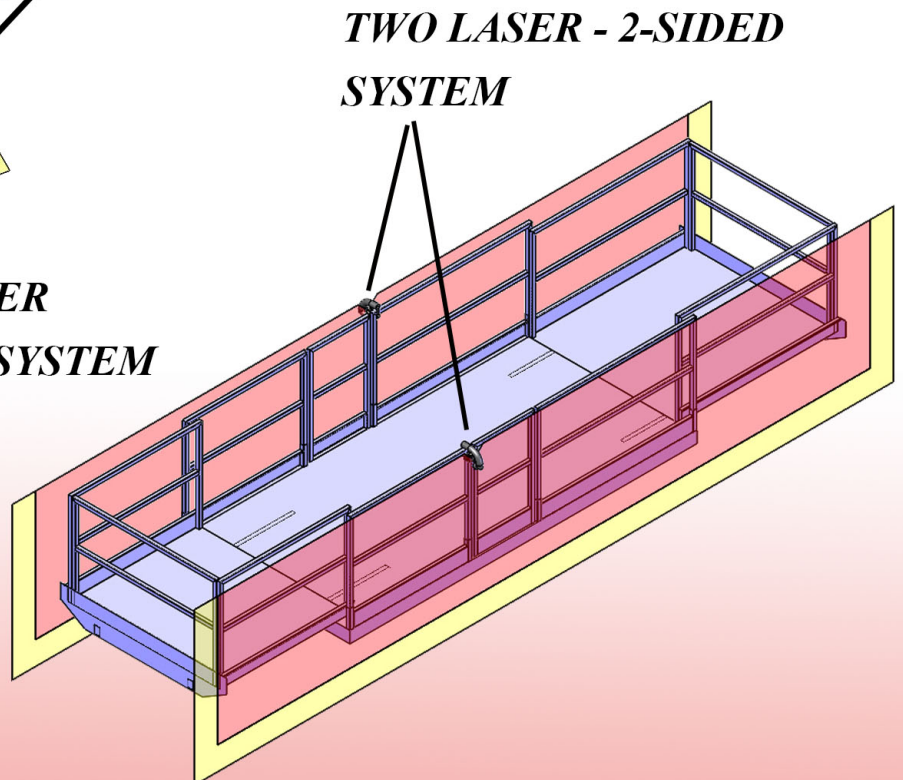
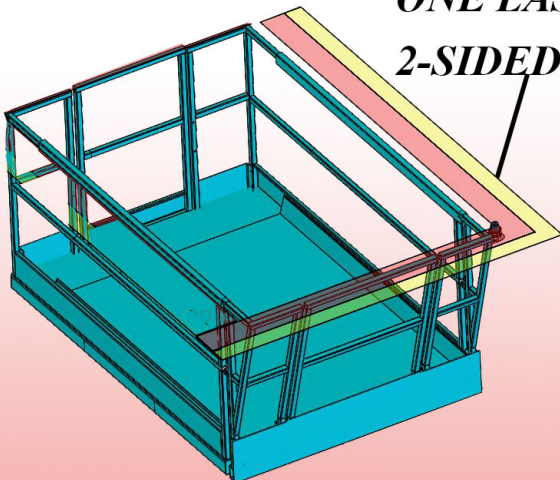
- ✓ *Eye Safe Laser Class*
- ✓ *IP67 Outdoor Rating*
- ✓ *Detects Metals or Composites*
- ✓ *Field Size Automatically Adjusts With  
Platform Height and Deck Extension*



***LASER SCANNERS CAN BE  
ORIENTATED IN ANY DIRECTION  
TO MEET YOUR CUSTOM NEEDS***



***ONE LASER  
2-SIDED SYSTEM***



***TWO LASER - 2-SIDED  
SYSTEM***