

THE BRANDON™ Mini

The World's Most Versatile Lifting Machine



Model: Brandon Mini

Hook Capacity: 1,000 lbs

Glass Capacity: 700 lbs

Power: 24 Volts

Boom: Proportional Telescoping Boom

Steering: Rear Wheel

Drive: Rear Wheel Electric Motor

Weight: 2,000 lbs

Material Lifting: Optional 1000# Lift Hook

Charger: On-board 110 Volts

Precise Boom Movement



Side-Shift Feature

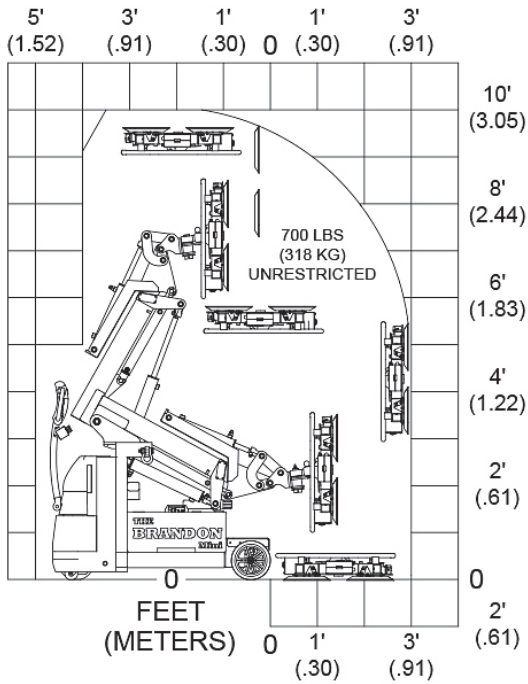


The side-shift feature of The Brandon Mini enables the operator to move the glass or window sideways to fit between the mullions or jambs. This side-shift is accomplished by a precise electric actuator connected to the front axle which moves the machine to either side.

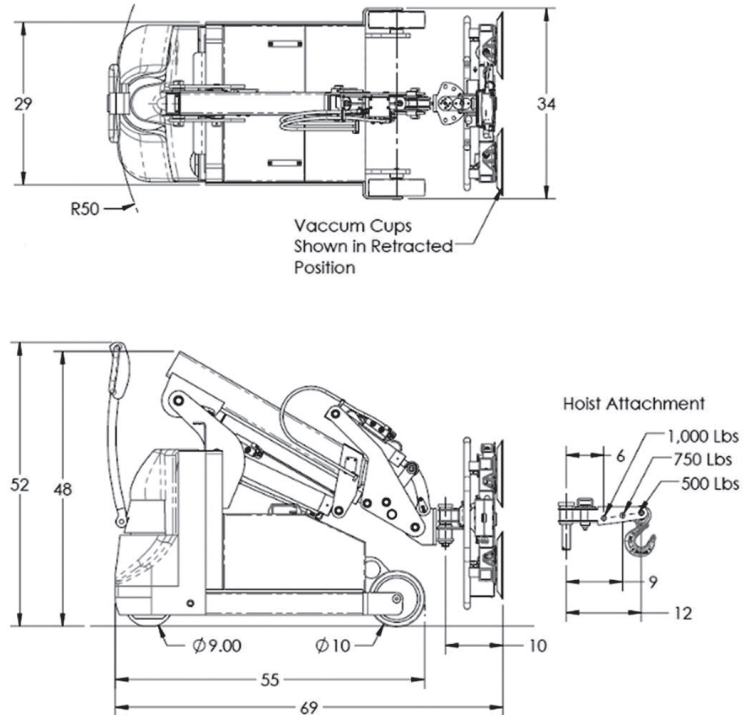
LOAD CAPACITY CHARTS

** MULTIPLE PATENTS PENDING**

Glass Lifter



MODEL MINI



Hook

