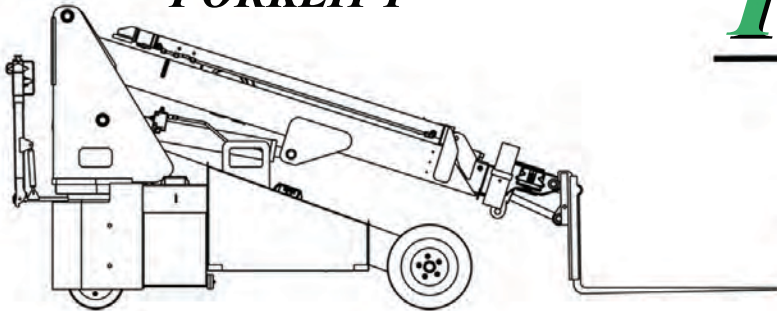
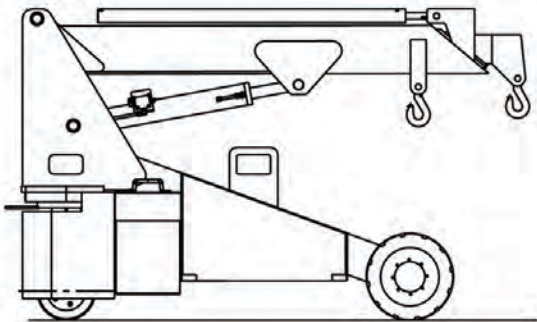


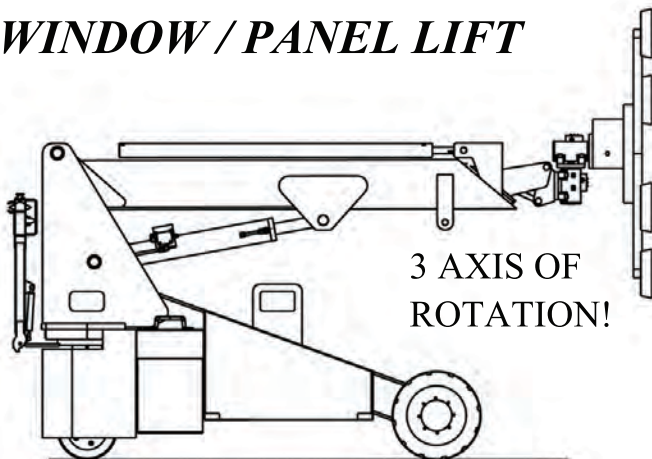
### *FORKLIFT*



### *HOIST*



### *WINDOW / PANEL LIFT*



# *THE BRANDON*



**Fork Capacity:** 2500 lbs.

**Hoist Capacity:** 7200 lbs on main boom, 6000 lbs on telescoping boom.

**Panel Capacity:** 1100 lbs

**Power:** 24Volt 5HP Electric Motor.

**Controls:** Walkie Handle or Radio Remote Control

**Boom:** Base unit, 2 telescoping booms and one manual pull-out boom. Fork and Window attachment replaces pull-out boom.

**Steering:** Rear Wheel

**Drive:** 2 Wheel Drive and Braking

**Rated Load Indicator:** Displays rated load and actual load.

**Charger:** On-board 110V

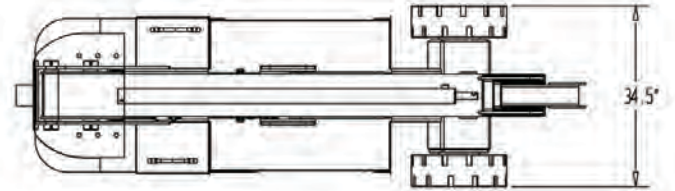
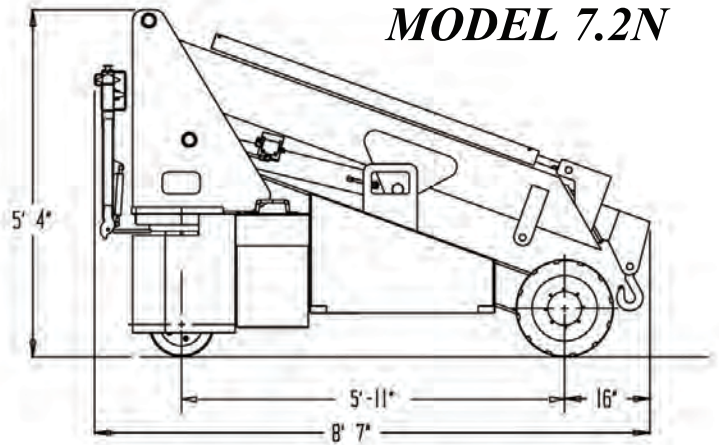
**System Display:** Loading Information and System Diagnostics



*PROUDLY  
MADE IN  
AMERICA*

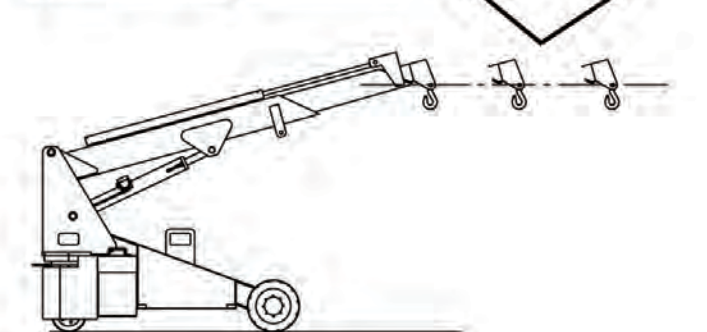
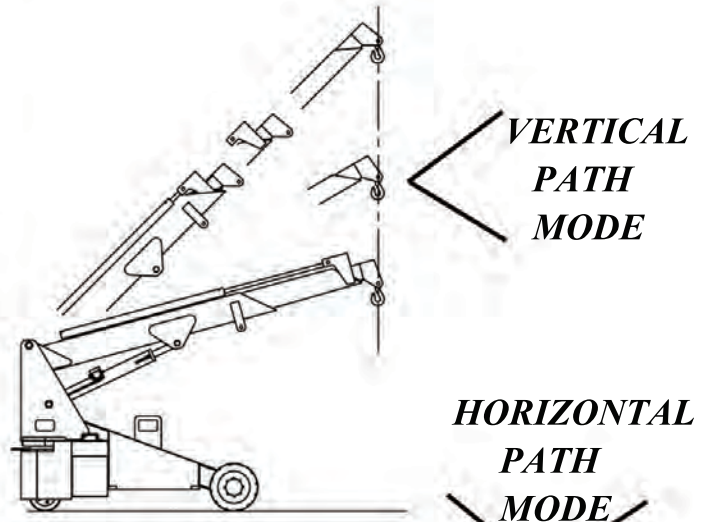
# COMPACT DESIGN

## MODEL 7.2N

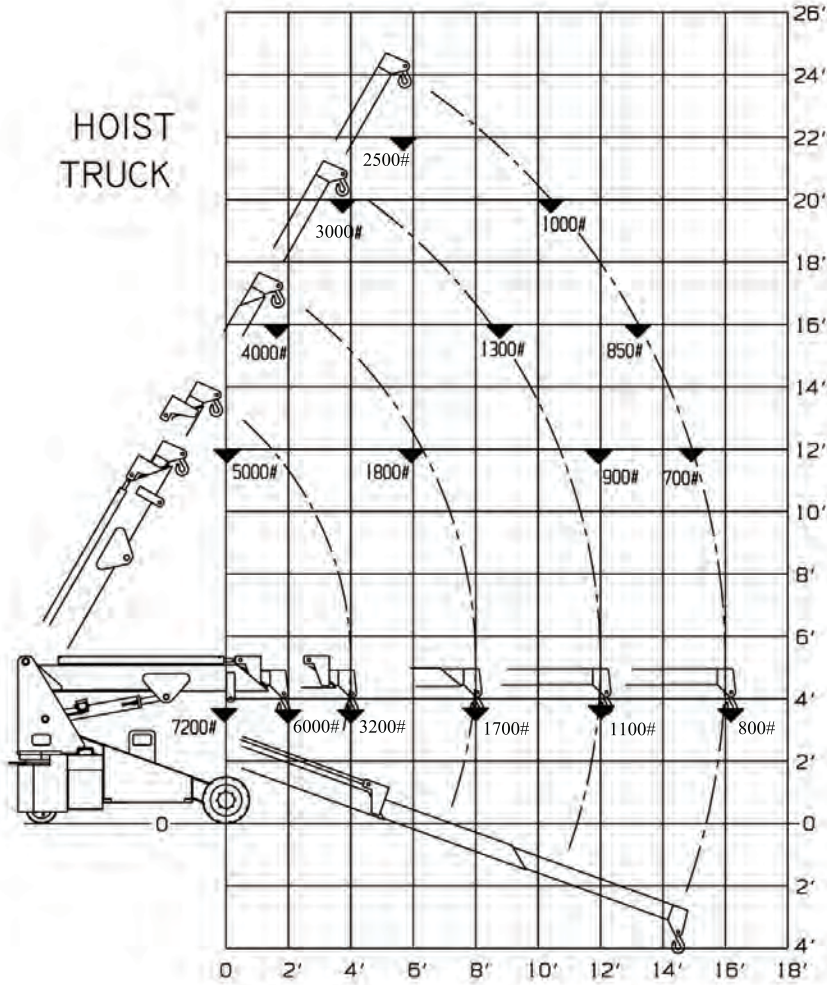


**34.5" WIDE SINGLE DOOR ACCESS**

### ADVANCED CONTROLS



**HOIST  
TRUCK**



**FORKLIFT**

